

Specification			NMP 210-G-K-CP	NMP 220-R-K-CP
Networked Media Processor	Industrial-grade embedded motherboard	High-speed 32-bit CPU Embedded operating system	✓	✓
	LAN switch	4 * 10M / 100M RJ45 network switch ports	✓	✓
	Audio matrix module	2*3.5mm line in; 1*3.5mm line out	✓	✓
	Microphone	1*6.35mm wired MIC in; 1*2.4G+UHF wireless MIC in; 1*3.5mm MIC mixed out	✓	✓
	HDMI matrix module	3*3 HDMI 2.0 Matrix Module, support 4K@60Hz, support HDCP 2.2 and HDCP 1.x	✓	✓
	Audio format	MP3, WAV, FLAC, Ogg, Opus and other mainstream audio formats	✓	✗
	Video format	MKV, RMVB, RM, MP3, MOV, AVI, FLV, WMV and other mainstream formats	✓	✗
	Communication interface	1*RS232, 2*USB *2, 1*Phoenix 4-Pin for control panel 1*USB-HOST & 2*USB-DEVICE (Route touch signals from different HDMI inputs to a touch display) 1 * infrared remote control ; 1 * IR learner	✓	✓
	Power amplifier	2*(40W+40W)	✓	✓
	Access control	Electronic lock control	✓	✓
	Power control	1* powerout; 1* single pole double throw (SPDT) switch 1* power in; 1* powerout for projection screen; 1* Power fuse (-220V/10A)	✓	✓
	Q-NEX Console Software	Centralized device control and management Support IC card management Cloud storage management Digital audio broadcasting Streaming media broadcasting TXT message announcement	✓	✗
	Control Panel	IC Card swiping module		✓
Power Control: NMP/display device/ external device power on/off			✓	
Video Control: HDMI input switch for the main display			✓	
Audio Control: MIC/Speaker volume adjust			✓	
	Click to lock panel		✓	
Wireless MIC	Frequency Range	650-675MHz	✓	
	Maximum channel	Upto 64	✓	
	Output Power	>=3dBm	✓	
	Side wave suppression	> 50dBc	✓	
	Bandwidth	25 MHz	✓	
	Maximum input level	At maximum gain >= 300M vRms	✓	



## Networked Media Processor -NMP

NMP is short for Networked Media Processor, and it is mainly designed for assisting school's IT admin to well manage various electronic facilities in a school, and freeing teachers from complicated operation of a multimedia classroom

### AV Switcher

- 1.HDMI Matrix Switcher
- 2.Audio Matrix Switcher
- 3.Touch Signal Switcher: To route touch signals from different HDMI inputs to one touch display with Touch USB port

### Wireless MIC Receiving Module



### Networked AV Distribution Module

- 1.Audio broadcasting, for scheduled school bell and the like
- 2.Streaming media broadcasting
- 3.TXT message announcement
- 4.LAN switch

### Device Control Module

- 1.RS-232 communication port
- 2.IR learning module for air conditioner control and the like
- 3.Power control module for lights, projector, display etc.
4. control panel connection port

### Power Amplifier

### Access Control Module

- 1.Electronic lock control
- 2.Authorized access to control panel

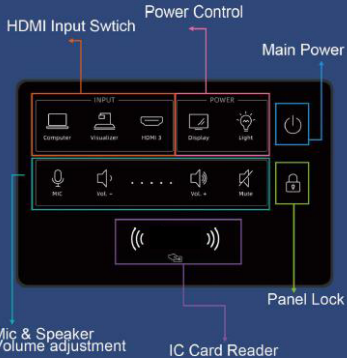
### Management System:

- Console (web-based platform) for overall control
- Streaming Service System (based on media server) for AV distribution and storage service
- Mobile APP for device control, compatible with Android & iOS



## Control Panel

## Wireless MIC



- ✓ Built-in page turner (PPT) and IR pointer
- ✓ With volume adjustment button
- ✓ OLED displays working status
- ✓ Automatic frequency matching NMP

## Application Diagram

