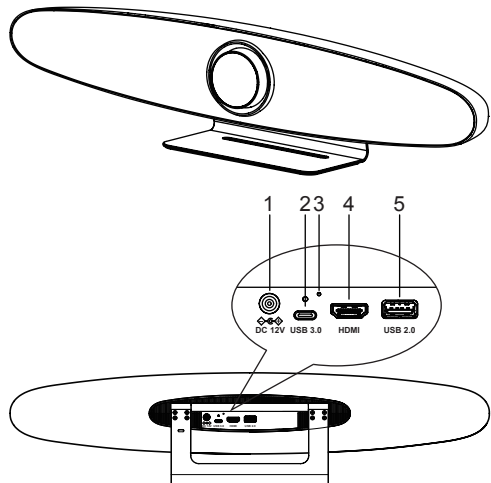


Edis EM1000 All in One 4k Tracking Video & Sound Bar

1 Appearance and Interface



Item	Name	Item	Name
1	DC 12V Interface	4	HDMI Interface
2	USB 3.0 Interface	5	USB 2.0 Interface
3	Reset Button	-	-

4K UHD

Using 1/2.5 inch, 8.51M pixel high quality UHD CMOS sensor, 4K (3840x2160)@60fps ultra high resolution clear image, and downward compatible with 1080P, 720P and other resolutions. It can meet the needs of users for different video experiences, and can provide clearer, real, smooth and accurate communication.

Wide FoV

121° wide field of view (110° horizontal field of view), 5 times zoom, optical lens customized for the conference scene, built-in electric head (horizontal and pitch ±15° motion range), no need to worry about the camera position, participants can easily enter the scene clearly.

Beamforming Microphone

Beam Forming (BF) microphone is built in, with a pickup distance of 6 meters. Low-distortion transverse beamforming algorithm can direct the microphone directly to the speaker, with better sound, clearer communication, fuller and more authentic.

Audio 3A Algorithm

Built-in audio 3A algorithm (AEC/AGC/ANS), full duplex dialogue, can meet the communication needs of different room structures, whether sitting at a conference table, sitting against the wall or standing, can have comfortable experience for calling.

Full Frequency Speaker

Full frequency Hi-Fi loudspeaker, professional acoustics design, reduce noise interference, provide outstanding sound effect.

Plug and Play Type

Through plug and play USB interface connect with the computer or business display screen, very easy to use. Less wiring, convenient video communication, reduce the user's learning cost.

Intelligent Analysis

Built-in intelligent analysis algorithm, listening to the speaker position, automatic framing of participants, automatic tracking of speakers, switching the speaker screen, to ensure that the speaker is always clearly in the picture.

Rich Interfaces

Support HDMI 2.0 and USB 3.0 audio video output simultaneously.

Easy Installation

Flexible installation options such as countertops, walls, and TV/display screens are available for quick installation and deployment in a crowded meeting room.

4 Product Specifications

Camera	
Video System	4K@60fps, 4K@30fps, 1080P@60fps, 1080P@30fps, 720P@60fps, 720P@30fps, etc
Sensor	1/2.5 inch, CMOS, 8.51M pixel
Lens	120°(DFOV), 110°(HFOV), 5x Digital Zoom, Pan/Tilt ±15°
PTZ	MPT + EPTZ
Digital Noise Reduction	2D & 3D Digital Noise Reduction
Video S/N	≥55dB
Backlight Compensation	Support
Audio	
Full Frequency Speaker	96 dB SPL in the case of 0.5 meter
Microphone Array	Beamforming microphone, pick up distance up to 6 meters
USB Features	
Connection Type	USB 3.0, downward compatible with USB 2.0
Video Compression	YUY2 / MJPG / NV12
USB Audio	32K sampling rate, support UAC 2.0

2 Packing List

Name	Quantity
Camera	1
Power Adapter	1
Power Cable	1
Remote Control	1
USB Cable	1
Wall Bracket (with screw)	1
User Manual	1

3 Product Features

Applicable Scene

It is specially designed for small and medium-sized meeting rooms, especially for the Huddle Room with 4 to 6 people, to help enterprises re-tap the potential of using the small and micro meeting space inside. On one hand, it can hold meetings more efficiently, on the other hand, it can also save the rental cost.

Product Value

It is convenient for small and medium-sized enterprises to conduct daily business negotiation and team cooperation in different places flexibly, so as to create a relaxed, free and smooth conversation environment, make decisions quickly and improve efficiency.

All-in-one Design

The three-in-one design of 4K ultra HD camera, beamforming microphone and full-frequency loudspeaker reduces wiring and make video communication easy.

Bluetooth 5.0

It can be connected to mobile phone via Bluetooth as microphone and speaker, and can connect mobile phone calls to audio and video conferences.

USB Communication Protocol	UVC 1.1~1.5
UVC PTZ Control	Support
Input/Output Interface	
HD Output	1 x HDMI, Version 2.0
USB Interface	1 x USB 3.0, Type C
	1 x USB 2.0, Type A
Power Jack	DC 12V, 1.5A (Max)
Generic Specification	
Control Method	2.4G Remote Controller
Installation Method	Desktop, Wall, TV and other display device
Operating Temperature	0°C ~ 40°C
Storage Temperature	-40°C ~ 60°C
Dimension	601mm x 141mm x 115mm (holder included)
Net Weight	2.5Kg

Note Product specifications and parameter information are subject to change without notice.

5 Safety Precautions

Careful Transportation

Transportation, custody and installation process to prevent heavy pressure, violent vibration, immersion damage to the product.

Careful Installation

This product should be placed on the smooth desktop. The shell of the product is an organic material and is strictly prohibited from contact with any liquid, gas or solid material that may cause corrosion to the shell.

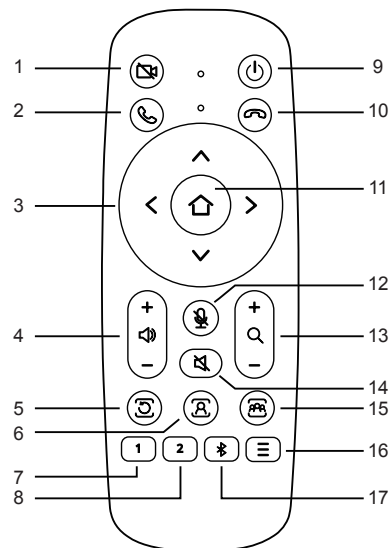
Do not Unauthorized Disassemble

This product has no parts which can be repaired by the user. The damage caused by the user's own disassembly is not covered by warranty.



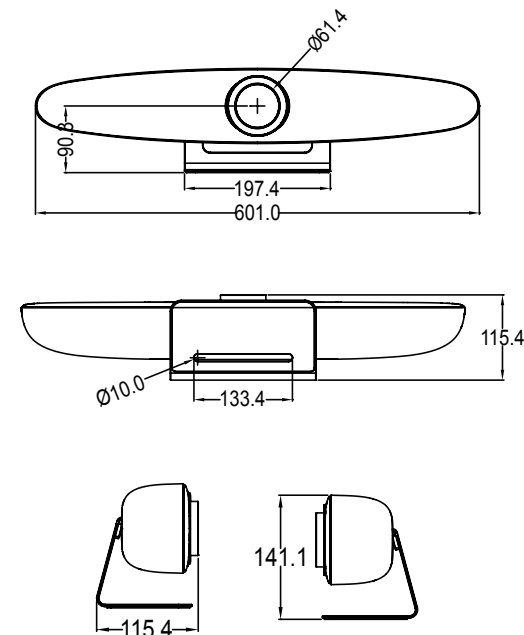
Electromagnetic fields at specific frequencies may affect image of machine.

6 Remote Control

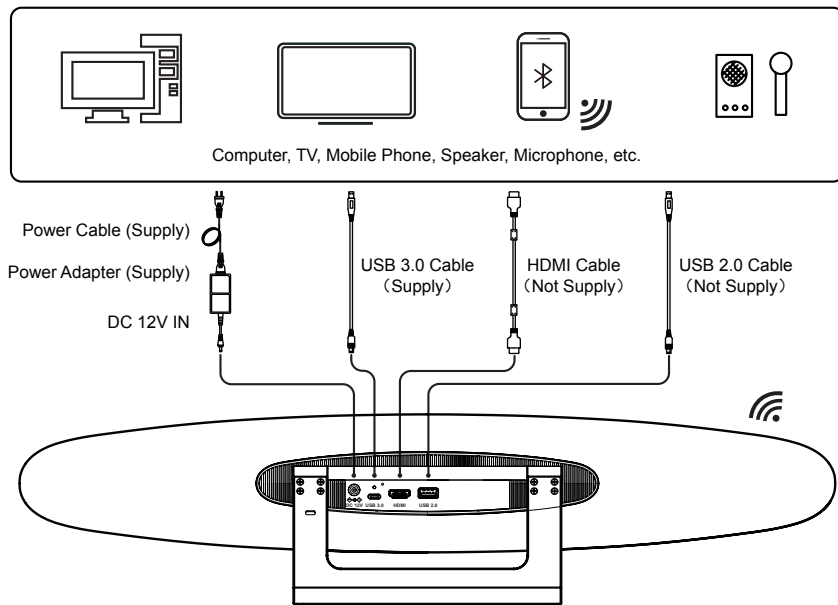
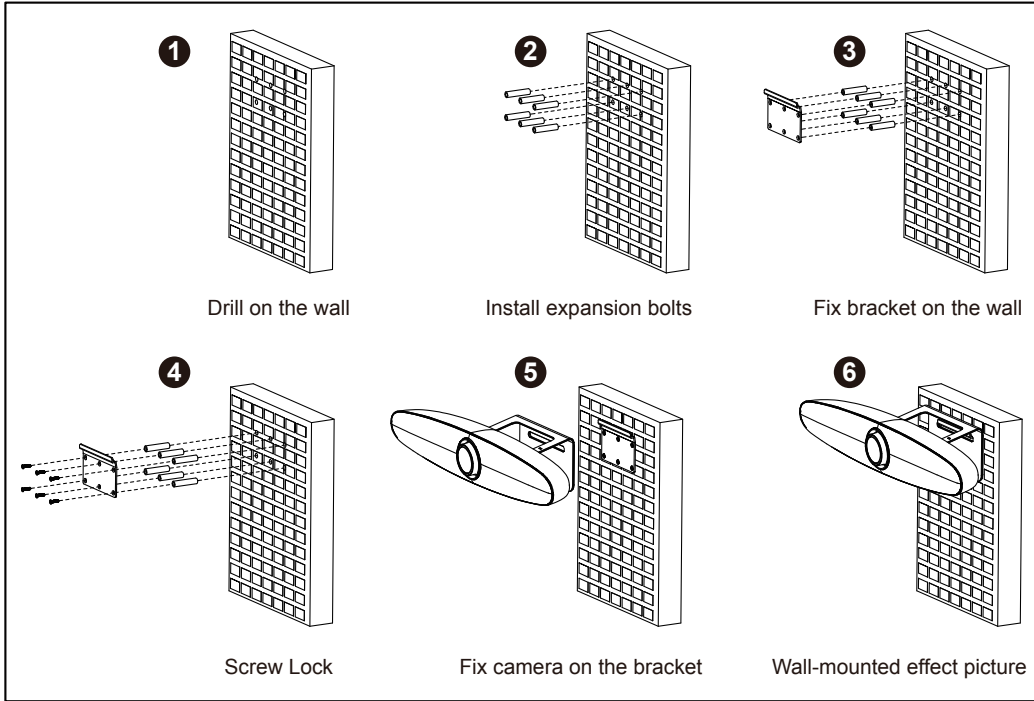


No.	Name	Function Description
1	Camera Close Key	The camera is closed after pressing, and the camera can be restored by pressing again
2	Call Key	Answer/initiate call/enter the call interface
3	Camera Control Key	After pressing, the camera moves in the direction indicated by the arrow to adjust the image display; press the [OK] key to return to the middle position
4	Volume Key	+ Key volume up, - Key volume down
5	Exit Tracking Key	After pressing, the camera will automatically exit the tracking mode
6	Speaker Tracking Key	After pressing, the camera will perform voice tracking of the speaker
7	Preset 1 Key	Long press to set preset 1, short press to call preset 1
8	Preset 2 Key	Long press to set preset 2, short press to call preset 2
9	Standby Key	Long press to standby, short press to return to normal
10	Hang Up Key	Hang up the call/Leave the meeting
11	OK Key	Confirm current selection
12	Microphone Mute Key	Turn on/off the microphone
13	Zoom Key	Zoom in the lens [+]; Zoom out the lens [-]
14	Speaker Mute Key	Turn on/off the speaker
15	Participants Tracking Key	After pressing, the camera will automatically track the participants
16	Menu Key	Press to enter or exit the OSD menu
17	Bluetooth Key	Turn on/off the Bluetooth function

7 Product Dimension



8 Installation and Connection



9 Remote Control Pairing

Note: The remote control has been paired with the whole machine when it leaves the factory, and it can be used normally without special operations. Unless there is an abnormal remote control, the whole remote control is confused, the remote control is missing, etc., and the remote control needs to be re-matched, the following steps are used to re-pair.

Step 1 Connect the camera to the power supply and wait for the camera initialization to complete, and the camera can output pictures normally.

Step 2 Clear the paired status of the remote control:

Press the remote control pairing button + OK button at the same time, keep pressing until the remote control indicator shows a steady red light, release the button to successfully clear the remote control paired status.

Step 3 Trigger the camera to enter the remote control pairing mode:

Use the card pin to poke the reset button of the camera, and the camera's LED light will switch to a blue marquee effect when it enters the pairing mode normally. (Note: Each time you enter the pairing mode, there is only 15s operation time. After the timeout, the pairing mode will be automatically exited. At this time, the LED is not a blue marquee effect. If you need to pair again, you need to press the reset button again to enter the remote control pairing mode again.)

Step 4 Start pairing: Take out the remote control whose pairing status has been cleared to be matched, press and hold the pairing button on the remote control, and wait for the matching to complete. When the normal pairing is successful, the camera's LED light is blue, with a flashing effect. After the pairing is successful, the camera can be operated normally through the remote control. If the pairing fails, please repeat steps 2, 3, and 4 until the matching is successful.

Language: Optional items: English, Chinese.

Video Setting: Setting 2D NR, 3D NR, WDR Enable, Flip-H, OSD Mirroring.

Audio Setting: Setting 3A Enable, Mic Equalizer.

EPTZ: Optional items: On, Off.

Zoom Limit: Optional items: 1.5x, 2x, 3x, 4x, 5x.

HDMI Format: Optional items: 1080P30, 1080I60, 4K@30, 4K@30 PIP.

Tracking Mode: Optional items: Off, Participants, Speaker.

Tracking Effect: Optional items: Smooth, Instantaneous (Effective only in Participants or Speaker of Tracking Mode).

Tracking Speed: Optional items: Slow, Normal, Fast (Effective only in Participants or Speaker of Tracking Mode).

10.3 Information

Move the cursor to "Information" in the main menu, and press [OK] to enter the information page, as shown in the below figure.

INFORMATION		
▶	Version	1.1.0_10453
	Model	M7.V
	Date	2021-02-03
	Return	

10.4 Restore Default

Move the cursor to "Restore Default" in the main menu, and press [OK] to enter the restore default page, as shown in the below figure.

RESTORE DEFAULT		
▶	Yes	
	No	
	Return	

Yes / No: Confirm or cancel restore factory settings.



GUI menu and parameter information are subject to change without notice.

10 GUI Settings

10.1 MENU

Press [MENU] key under normal image, the screen will display menu content.

MENU		
▶	Setting	
	Information	
	Restore Default	
	Exit	

10.2 Setting

Move the cursor to "Setting" in the main menu, and press [OK] to enter the setting page, as shown in the below figure.

SETTING		
▶	Language	English
	Video Setting	
	Audio Setting	
	EPTZ	On
	Zoom Limit	5x
	HDMI Format	4K@30
	Tracking Mode	Participants
	Tracking Effect	Smooth
	Tracking Speed	Normal
	Return	

11 Maintenance & Troubleshooting

Camera Maintenance

- If camera is not use in long-term, please disconnect power switch after use.
- Use soft cloth or cotton paper to remove dust from the camera housing.
- When cleaning the camera lens, please use dry soft cloth to wipe, if dirt is serious, use neutral cleaner gently. Do not use strong or corrosive detergent, lest the lens scratch, affect the image effect.

Avoid Using

- The camera should avoid shooting particularly bright objects, such as sunlight, lights, etc.
- The camera should not work under unstable lighting conditions, otherwise the image will flash.
- Do not use around facilities that can transmit high-power radio waves, such as television station or radio-transmitting station.

Troubleshooting

The video image displayed by the camera lens has jitter.

- 1) Check whether the camera installed position be stabled.
- 2) Check whether have vibrating machinery or object near the camera.