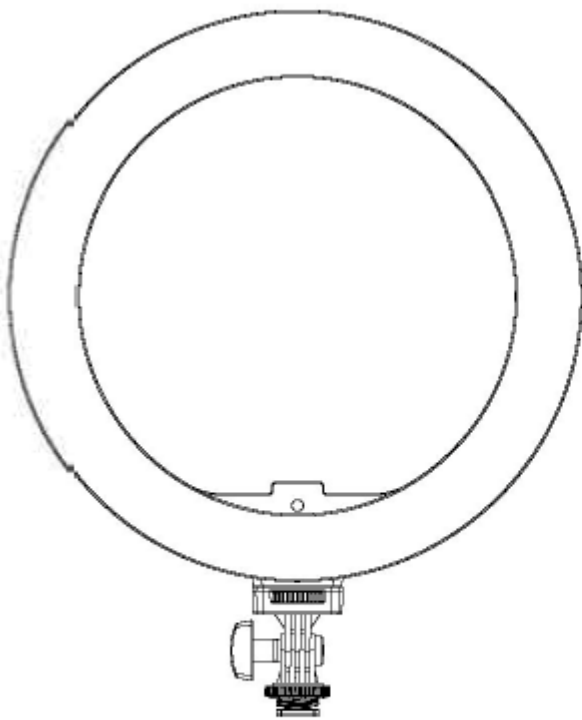
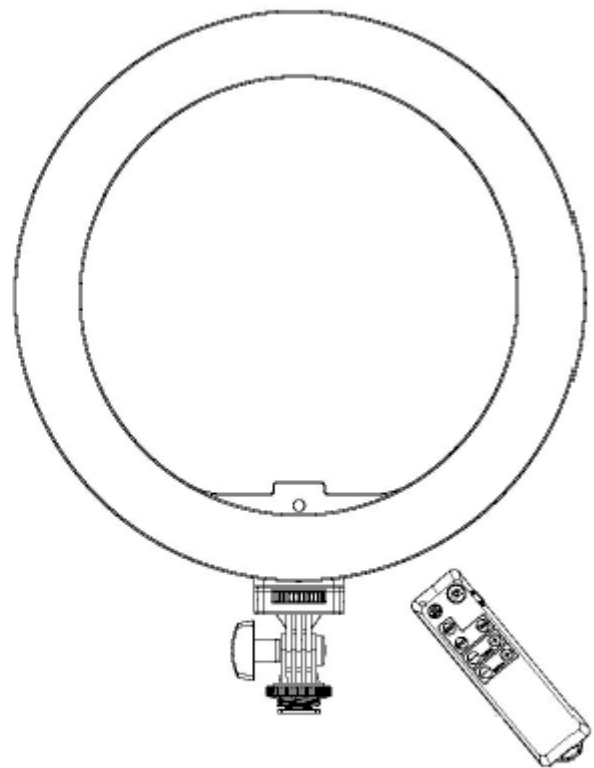




# LED Ring Light User Manual



( Manual knob control )



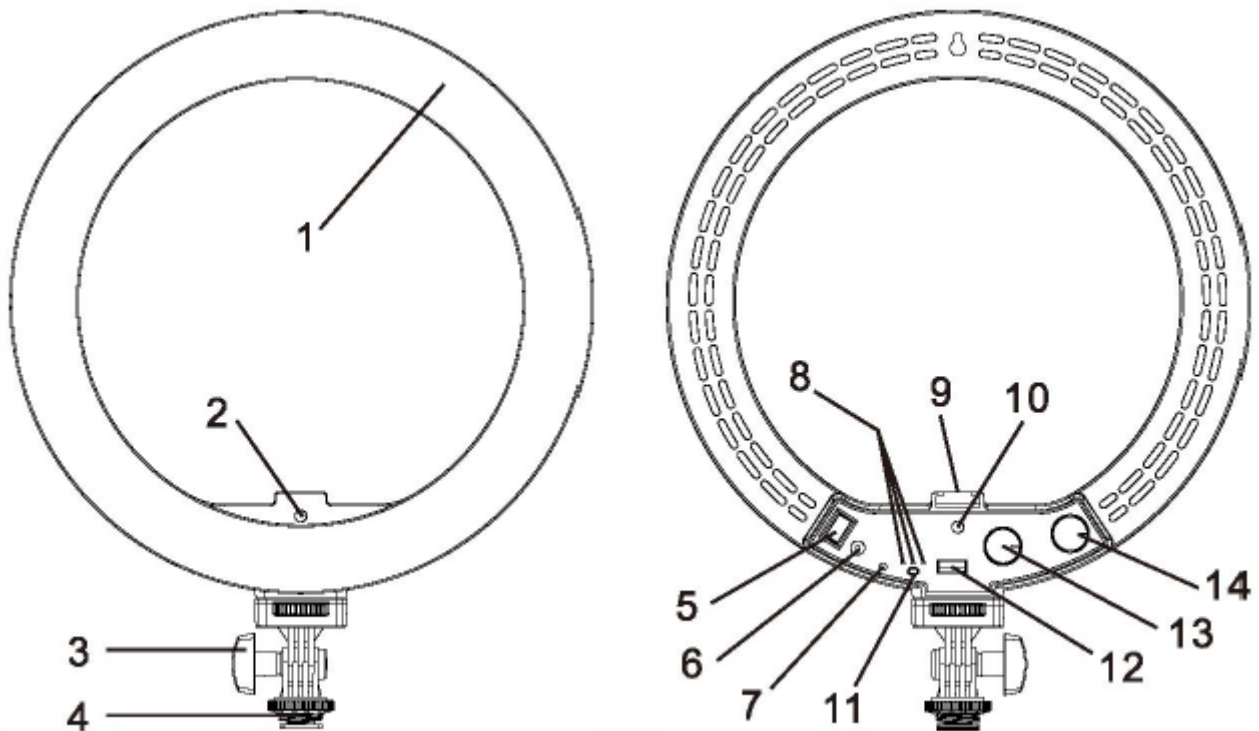
( Manual and infrared control )

## Safety Notice :

In order to prevent any damage to product or the safety of users, please read the following safety precautions and keep this manual well before use so that all users of this product can consult it at any time.

This product is a new design of 10-inch LED Ring Light. It uses 56 Pcs 5600K cold color and 56 Pcs 3200K warm color lamp beads arranged alternately, and the latest LED-driving technology is used so that the illumination range is larger, the brightness is stronger, and the color temperature adjustment range is wider, providing sufficient, accurate and stable light source. Two damped potentiometers are used to adjust brightness and color temperature respectively. Also it's equipped with infrared remote control function, the front and rear double remote control receiving tube design enables the front and rear of the LED light to be under normal remote control well, and the effective remote control distance is about 5 meters. There is a 5V USB output interface on the product, which can charge 5V digital products. The maximum output is 5V / 1A. The adapter can be used for power supply, or the "RL-2F" charging plate can be selected, and two NP-F series batteries can be used to power the product.

# 1. Product Introduction



- |                                      |                                  |                          |
|--------------------------------------|----------------------------------|--------------------------|
| 1. Light panel                       | 2. Front infrared receiving tube | 3. Angle adjustment knob |
| 4. Hot-shoe fixed knob               | 5. Power switch                  | 6. DC socket             |
| 7. Power indicator light             | 8. Channel indicator light       | 9. Hot-shoe slot         |
| 10. Rear infrared receiving tube     | 11. Channel switch button        |                          |
| 12. USB 5V/1A output port            | 13. Brightness adjustment knob   |                          |
| 14. Color temperature adjusting knob |                                  |                          |

## 2. Function and Feature

### 1. Power supply & Switch On /Off

1.1 Power supply with external adapter Connect the 12V-16.8V >30W adapter matched with this LED light to the DC stand of it, and connect the adapter to the power supply.

Turn the power switch to the "ON" end, and the power indicator light will be on. The LED light starts normally.

1.2 Use the optional RL-2F charging plate and use Sony NP-F series battery for power supply. In the power on state, turn the power switch to the "OFF" end, and the product will be shutdown. Use the optional RL-2F charging plate for power supply. 1. Insert two NP-F series batteries with the same battery capacity into the battery compartment of RL-2F charging plate.

2. Insert the DC plug of RL-2F charging plate into the DC socket of the product3. Turn the power switch to the “ON end , andthe productwillstart normally

2. Brightness adjustmentAfter the productis started normally, rotate the brightness knob on the prod uct clockwise.andthe brightness willincrease. When the knob is turned clockwise and can't continue torotate, it will be the maximum brightness. Conversely, rotate the brightness knob on the productanticlockwise, and the brightness will decrease. When the knob is turned anticlockwise andcan'tcontinue to rotate, it will be the minimum brightness

### 3 Color temperature adjustment

After the product is started normally, rotate the color temperature knob on the product clockwiseand the color temperature will increase. When the knob is turned clockwise and can't continueo rotate, it willbe the maximum color temperature. Conversely, rotate the color temperatureknob on the product anticlockwise, and the color temperature will decrease. When the knob is turned anticlockwise and can't cantinue to rotate, it will be the minimum color temperature.

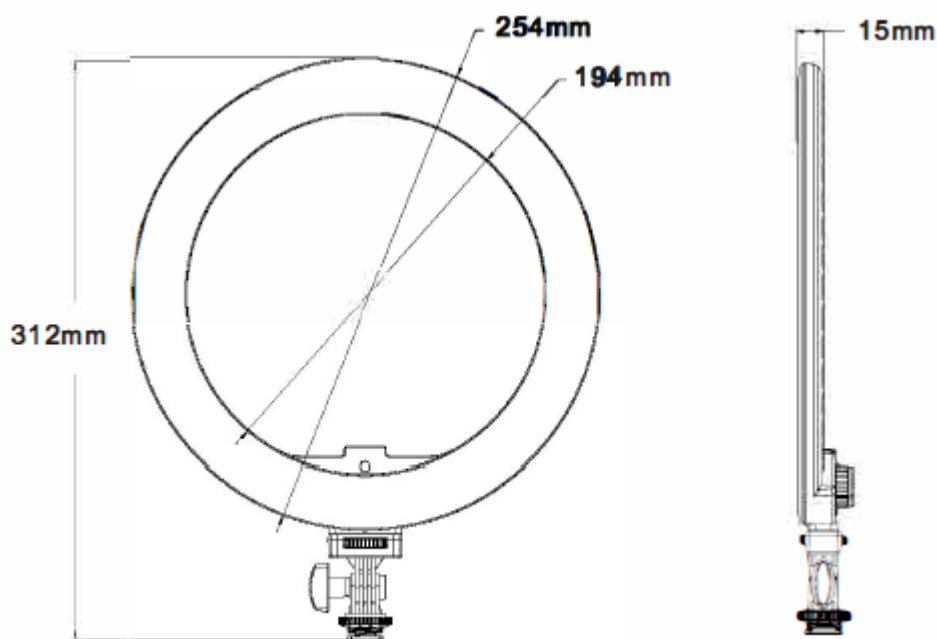
### 4 . USB output

After the product is normally powered on, connect the product with the device to becharged with a USB cable, and then the device can be charged through the USB outputport. The maximum output currentis 1A. Whether the USB port has output has nothinoto do with the power switch. No matter whether the productis tu rned on or not, as long asthe DC adapter is connected normally, the device that needs to be charged can becharged then

### 5. Remote control channel setting

After the product is started normally, press the “CH ” button, and the channel indicator LEDon the product will switch back and forth between CH1, CH2 and CH3. If the correspondingchannel indicator LED is on, and the current remote control channel of the product is just thechannel

## 3. Product Size



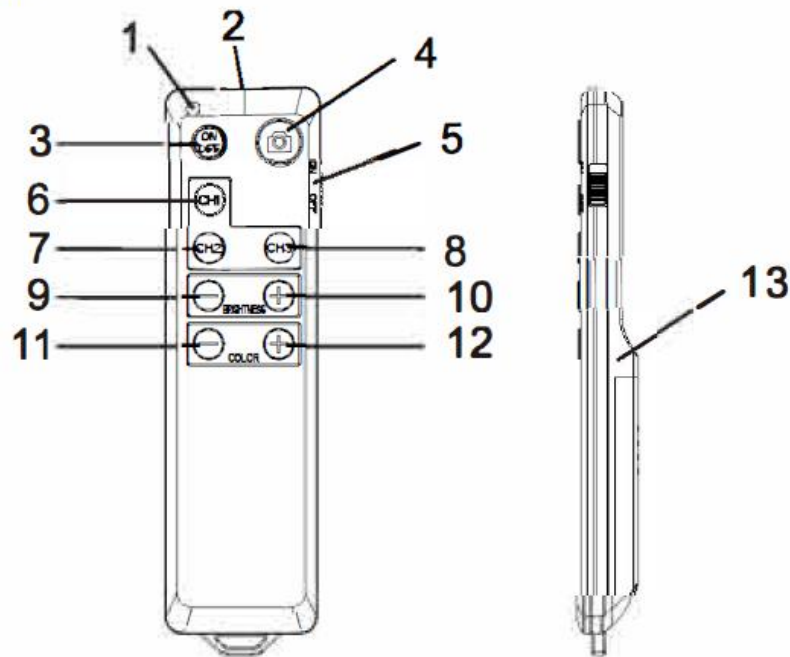
## 4. Basic Product Parameters

No.	Item	Specification
1	Scope of application	It is suitable for all the environment and equipment that need to fill light, such as camera LED light, photography LED light and so on.
2	LED quantity	5600K cold-color 56 Pcs, & 3200K warm-color 56 Pcs.
3	Maximum power	LED light: 18W, USB output: 5W, Total power: 23W.
4	Maximum illumination	1400 Lux (0.5m) 400 Lux (1m)
5	Brightness range	0-100%
6	Color temperature range	The range of 3200K-5600K is adjustable ( $\pm 200K$ ).
7	Color rendering	CRI>95
8	Control mode	Potentiometer adjustment, infrared remote control
9	Remote control mode	Infra-red
10	Infrared remote control distance	The straight line distance is about 5 meters.
11	Remote control channel	3 channels: CH1、CH2、CH3
12	Power supply mode	Adapter 15V 2A
		Battery Freely choose external charging plate - which is suitable for battery type of Son. NP-F970 / F770 / F570.
13	USB output parameters	Output voltage : 5V Output current : 1A Max
14	Net weight	About 242g, including hot shoe seat.
15	Working environment temperature	0-35℃
16	Storage temperature	-10-50℃
17	Relative humidity	20-80%
18	Size	254x15x312mm

## 5. Infrared Remote Control

1. Remote control channel setting After the product is started normally, press the " CH " button, and the channel indicator LED on the product will switch back and forth between CH1, CH2 and CH3. 1-3 channels are selected and the indicator LED is on accordingly, then the current remote control channel of the product is just the channel.

## 2.Remote control



No.	Item	Function description
1	Status indicator	Indicates the key status of the remote control
2	Infrared emmissiontube	It is used to transmit infrared signal to control the LED light
3	ON/OFF button	Turn On / Off the LED light
4	Mobile recording and shooting button	Turn on Bluetooth , and search for the Bluetooth device named "NBK"
5	Power switch	Power switch of remote control
6	CH1 BUTTON	It is used to switch to channel 1 remote control
7	CH2 BUTTON	It is used to switch to channel 2 remote control
8	CH3 BUTTON	It is used to switch to channel 3 remote control
9	BRIGHTNESS-	Brightness -
10	BRIGHTNESS+	Brightness +
11	COLOR TEMP-	Color temperature -
12	COLOR TEMP+	Color temperature +
13	Battery compartment	Exit the battery compartment cover and put in the " AAA " battery to supply power to the remote control
14	Size	129x35x13mm

3 Remote control function description  
3.1 Turn the power switch of the remote control to the "ON" end, turn on the remote control. turn on the power switch of the remote control to the "OF" end, and the remote control will turn off.

3.2 RL-10AH remote control  
After the remote control is turned on, if it is necessary to remotely control and if the LED light channel is set to CH1, just press the CH1 key on the remote control, and the status indicator light will flash out Red once, indicating that the remote control has been switched to the control mode of CH1. Press the On/ Off button on the remote control, BRIGHTNESS+ , BRIGHTNESS- , COLOR+ , COLOR- buttons to control the switch on and off of the LED light of CH1, increase and decrease of brightness, and increase and decrease of 3200K-5600K color temperature. If you want to control the LED light whose channel is set to CH2, just press the CH2 button of the remote control, and the status indicator light will flash Red and Green once to switch to the control mode of CH2. For CH3 channel you can operate the same way, When the CH3 button is pressed, the status indicator light will flash Green.

3.3 After the LED light is turned on, press and hold the shooting button on the remote control for 3 seconds, and the status indicator light will flash rapidly. At this time, it will enter the Bluetooth search state. Turn on the Bluetooth of the mobile phone, search for the device named 'NBK' for pairing. If the Bluetooth pairing connection is successful, the remote control status indicator is off, After the connection is successful, when the mobile phone camera is turned on press the shooting button of the remote control to control the mobile phone to take pictures and record videos.